

# Massage Bathtub

Instructions of Installation and Use

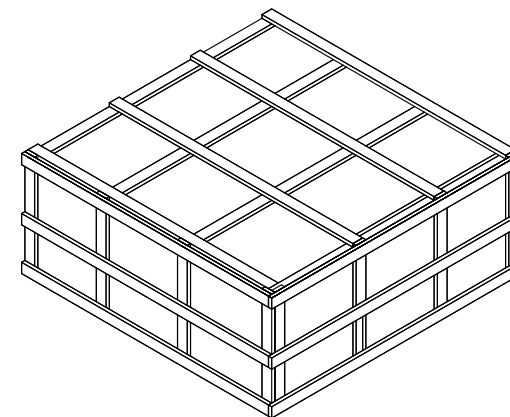


MT-IR1802

Dear Customer,  
Thank you for choosing our product. For your safe concern, please take a few minutes to read this manual before installation and use.

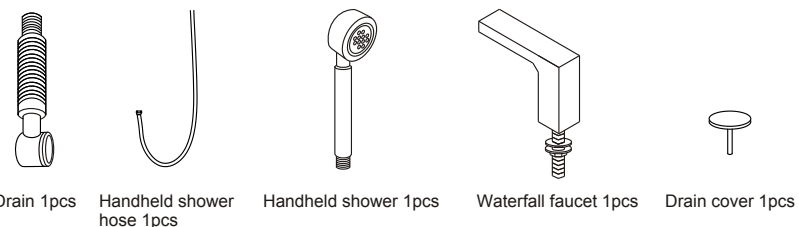
**WARNING**

1. Ensure that the installation is in the correct zone and that equipotential bonding is carried out.
2. The new hose-sets supplied with the appliance are to be used and that old hose-sets should not be reused.
3. This appliance is not intended for use by persons with reduced physical, sensory or mental capabilities, or lack of experience and knowledge (including children; people with heart disease or high blood pressure), unless they have been given supervision or instruction concerning use of the appliance by a person responsible for their safety. Children should be supervised to ensure that they do not play with the appliance.
4. Pay attention to the drop height when go in or out of the appliance, to avoid stumbling. Watch out the appliance with suds
5. Don't use acidic and strong alkaline detergent, acetone, ammonia and so on. Clean with alkalinescent detergent and soft cloth
6. Put on fluid sealant once it shed, to avoid water leakage.
7. Settings, configurations and details of the products are subject to be changed or upgraded without prior notice.
8. For the maintenance, please contact the technicians appointed by the dealer and don't disassemble and fix by yourself, or the supplier will be free from any consequences that may occur.

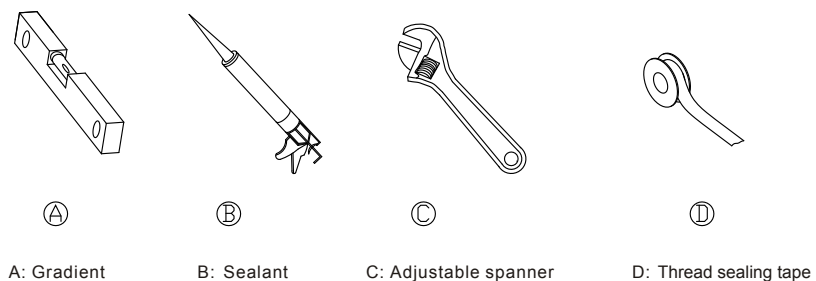


Please use tools to open the packing;  
Make sure all accessories are in the packing

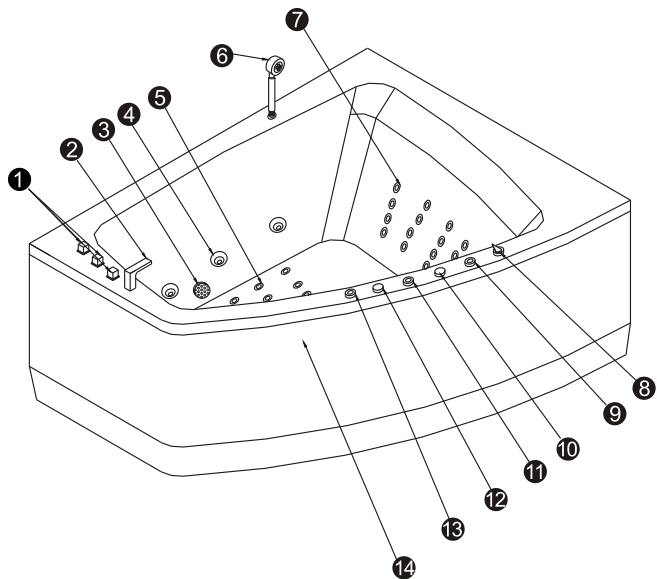
**Accessory Box**



**Installation Tools(no included)**



Bathtub Configuration



- ① Water-Inlet Switch
- ② Water-Inlet Waterfall
- ③ Water Circulation
- ④ Big Jets
- ⑤ Bottom Jets
- ⑥ Handheld Shower
- ⑦ Back Jets
- ⑧ 2# Pump Water Divider
- ⑨ 1# Pump Switch
- ⑩ 1# Pump Air Regulator
- ⑪ 2# Pump Switch
- ⑫ 2# Pump Air Regulator
- ⑬ Underwater Light Switch
- ⑭ Skirt

PS: 1# Pump supplies water for big jets; and 2# Pump supplies water for back jets and bottom jets.

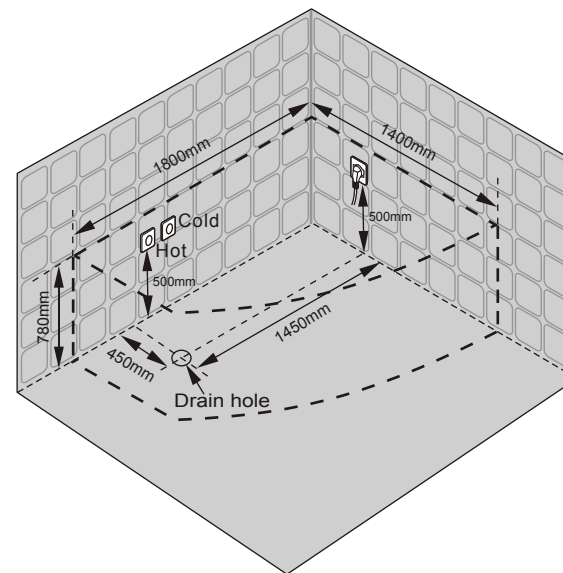
Installation of Electric Appliance

1. Electric Parameter

Rated Voltage	Rated Frequency	Max Rated Power	Rated Current
220V	50Hz	2300W	11.5A

2. There should be creepage protector on the power supply. Earthed appliances must be permanently connected to the fixed wiring with well protective ground wire. The section of the electrical wire should not be less than 2.5m<sup>2</sup>. The power supply appliance should be tally with the National Safety Standard. And connect the protective ground wire to the bathtub frame with groundwire sign (The creepage protector is prepared and connected by yourself)

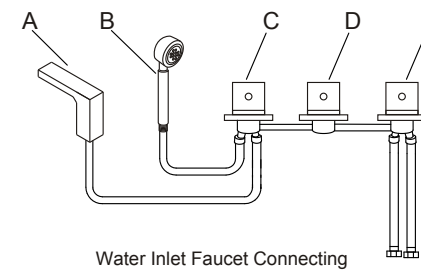
Installation of Water Supply



1. Hose Connecting Way

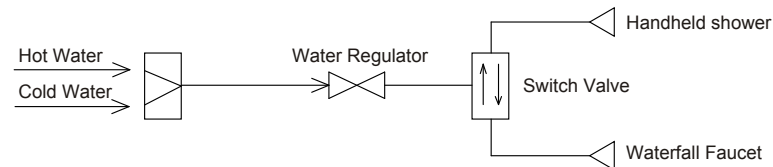
The fittings of bathtub were already connected before shipment. You only need to connect the cold/hot water hose to the corresponding water supply tube, which should be in the shadow of the bathtub back.

- A: Waterfall Faucet
- B: Handheld Shower
- C: Switch of Handheld Shower and Faucet
- D: Water Regulator
- E: Water Inlet(Cold/Hot)



Water Inlet Faucet Connecting

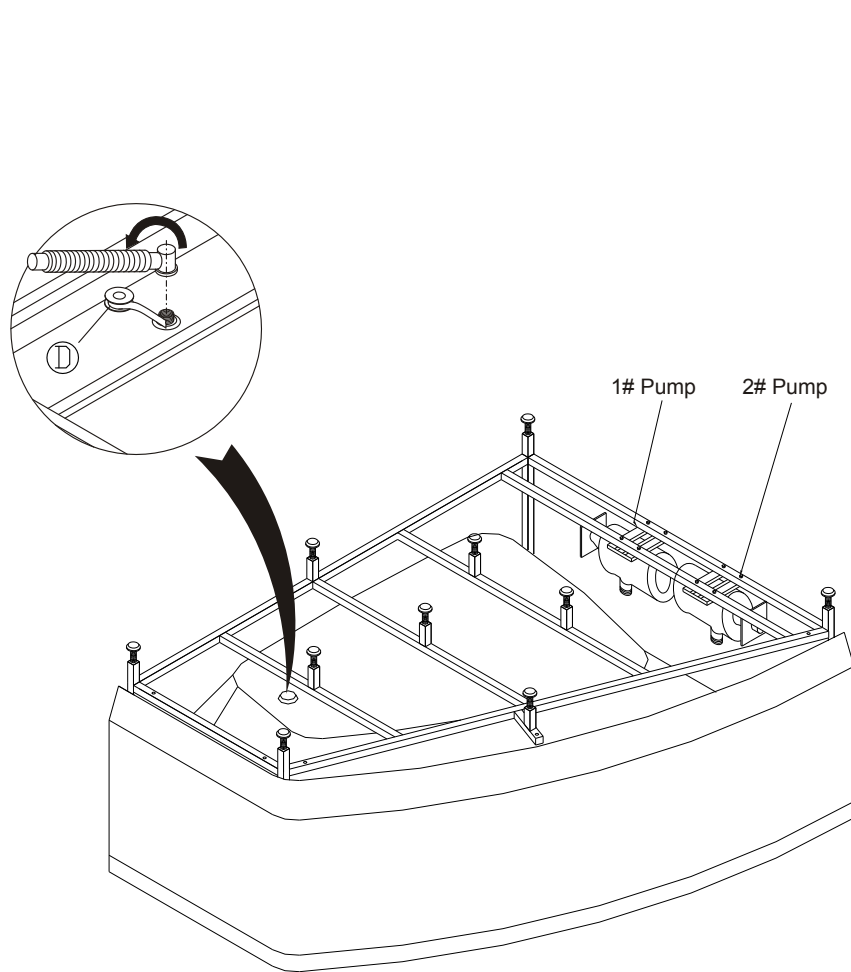
2. Water Supply Chart



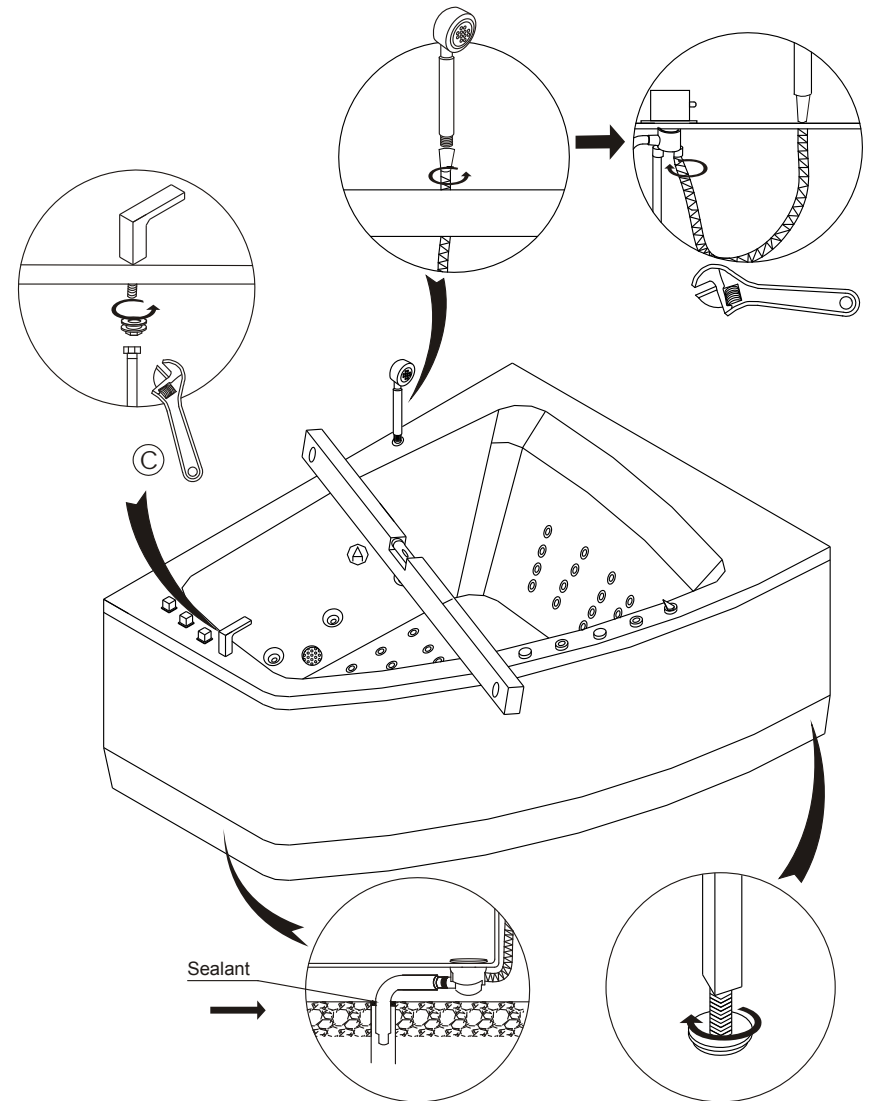
Installation of Bathtub

1. Overturn the bathtub (backside upturned), and wrap the drain hole with Thread sealing tape. Then fasten the drain tube.

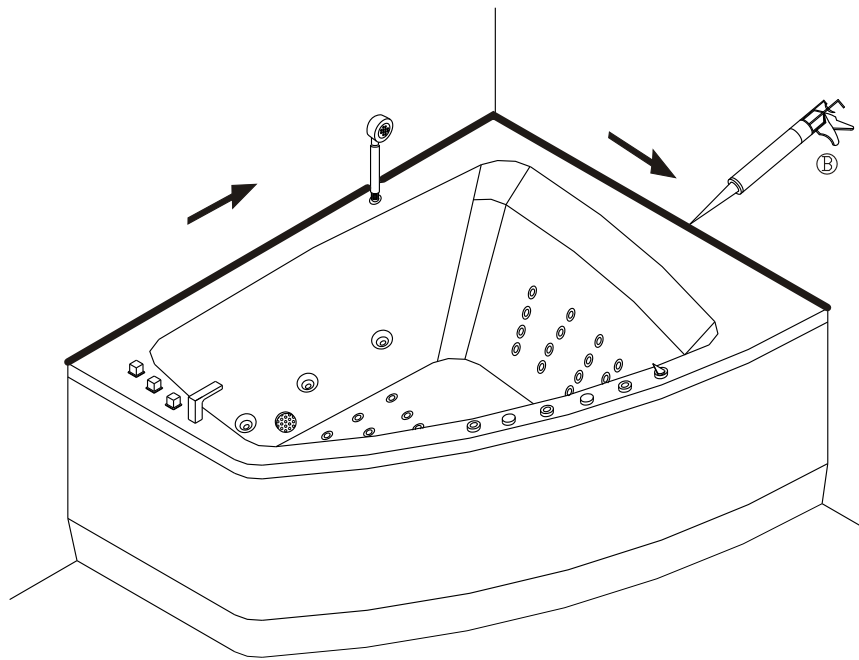
As picture show:



2. As the below picture: Turn back the bathtub. Then Install the water-inlet waterfall and handheld shower on and connect to the water hose. Move the bathtub to the wall corner. Put the downcomer into the drain hole. And use sealant around the hole. Adjust the anchor screw to make the bathtub horizontal.



3. Seal the gap between the bathtub side and the wall with sealant, to avoid water leakage.



Usage

1. Switch on the power supply.
2. Turn on the cold/hot water switch, and adjust to the suitable temperature. Use the switch to choose the faucet or handheld shower to let water in.
3. Don't press the pneumatic switch unless the water level in the bathtub goes beyond the jets position.
4. Use air regulator to adjust the massage power.
5. Rotate the handheld shower to adjust the massage effect.
6. Use light switch to turn on/off the underwater light.
7. Adjust the water divider to use back jets or bottom jets. When the divider handle is in the middle position, you can use both back jets and bottom jets at the same time.
8. Press pneumatic switch, turn off the pumps, and drain the water after use.
9. Turn off the power supply.

Troubleshooting

Trouble	Possible Reason	Try this to solve
Water pump Don't work.	Power supply is not well connected, the creepage protector disconnect .	Turn on the power supply, and connect the creepage protector.
	Water pump impeller was stuck by sundries.	Clean the water pump impeller.
	The water pump switch is off.	Press the water pump switch.
	Power supply plug don't insert or no enough power supply.	Plug the power supply in.
	Water pump trouble.	Repair or replace the water pump.
Air pump don't work. (this version don't include )	No enough power supply.	Check the circuitry and plug the power supply in.
	Switch is off.	Press the air pump switch.
	Power supply plug don't insert or the power supply is abnormal.	Plug the power supply in.
Massage power can't be adjusted.	Voltage problem.	Check voltage.
	Adjust switch is off or has problemis broken.	Check, replace the switch.
	Water Circulation is blocked.	Clean the water circulation.
Bathtub don't stand horizontally.	Adjustable foot is not well-adjusted.	Adjust the Adjustable foot.
Water leakage.	Obturatoring ring is not good.	Replace the obturatoring ring.
	Nut is loose.	Screw down the nut.
	Connect part is not well connected.	Pay attention to the connect part conglutination.

## Installation Process

### Cleaning & Maintenance

1. Use general liquid detergent and soft cloth for daily cleaning. Don't use detergent that with acetone or ammonia. Disinfectant with formic acid and formaldehyde is forbidden during disinfection.
2. If there is scratch on the bathtub surface, use 2000# waterproof abrasive paper to polish it and lay toothpaste on. Then use soft cloth to furbish it.
3. Scale deposit can be wiped off with warm citric acid or vinegar by a soft cloth.
4. Screw off the Water Circulation and jets for cleaning when plug up by litter, such as hair
5. Frequent cleaning is not necessary for the parts gilded and silver-gilt
6. Don't clean the tub with hard or coarse material to avoid any scratches; and don't clean the tub by detergent with chemical menstruum to avoid any damages.
7. Be sure to drain off the water and disconnect the power supply after use
8. Don't hit and score the bathtub by hard or keen-edged material. And don't touch the bathtub by cigarette end or heat source that over 70°C
9. Water massage system cleaning: fill the bathtub with 40°C hot water, and add detergent(2g/L). Then run the water massage system for 5 minutes. After that, stop the pump and drain the water. Fill the bathtub with cold water, and run the water massage system for 3 minutes. Clean the bathtub after stopping the pump and draining off the water.

### Precautions

1. The installation should be carried out by a qualified technician, and should be according to the manual.
2. The appliance electric parameter should be tally with the National Safety Standard. And there should be creepage protector on the power supply. Make sure the ground wire is safe. Don't touch the switch, electrical outlet and plug with water.
3. Don't use overheated water. Put cold water first, then hot water. Don't run the appliance until the water level is higher than the jets.
4. The rated voltage of this appliance is 220V. Don't run it when the voltage is over 235V or under 190V.
5. Disconnect the power supply after use
6. Don't take a bath for a long time. Recommended time: less than 30 minutes
7. Please restart the appliance for occasional system halt
8. If the supply cord is damaged, it must be replaced by the manufacturer, its service gent or similarly qualified persons in order to avoid a hazard.
9. This manual is attached with the product. Before installation, please read it carefully. All he installation and use should conform to this manual, to avoid damage or other accident.

### Caution:

1. When the bathtub can't work, please check according to the troubleshooting list. If you can't judge the reason or unable to repair it, please contact the seller or Bellagio Luxury's maintenance center
2. To insure the customers' safety, the installation should be carried out by a qualified technician. Please use eligible creepage protector. The ground wire should be well connected to the ground.

### Elektrisk installation

Produkt	Strøm	Frekvens (Hz)	Forbrug (W)	Ampere
Spa uden varmelegeme	230V - 1 fase	50 - 60 Hz	1200 W	10 Amp
Spa med 3 kW varmelegeme	230V - 2 faser	50 - 60 Hz	4200 W	16 Amp
Spa med 6 kW varmelegeme	230V - 3 faser	50 - 60 Hz	7200 W	16 Amp

## El-diagram

Alle elektriske tilslutninger i forbindelse med installationen af produktet skal udføres af en autoriseret professionel elektriker.

Ved tilslutning skal alle lokale forskrifter følges og den tilladte belastning p en fase/faser skal følges. Produktet skal være permanent tilsluttet. Længden af elledningen skal være lang nok til at kunne flytte produktet et stykke fra væggen, hvis det er nødvendigt.

